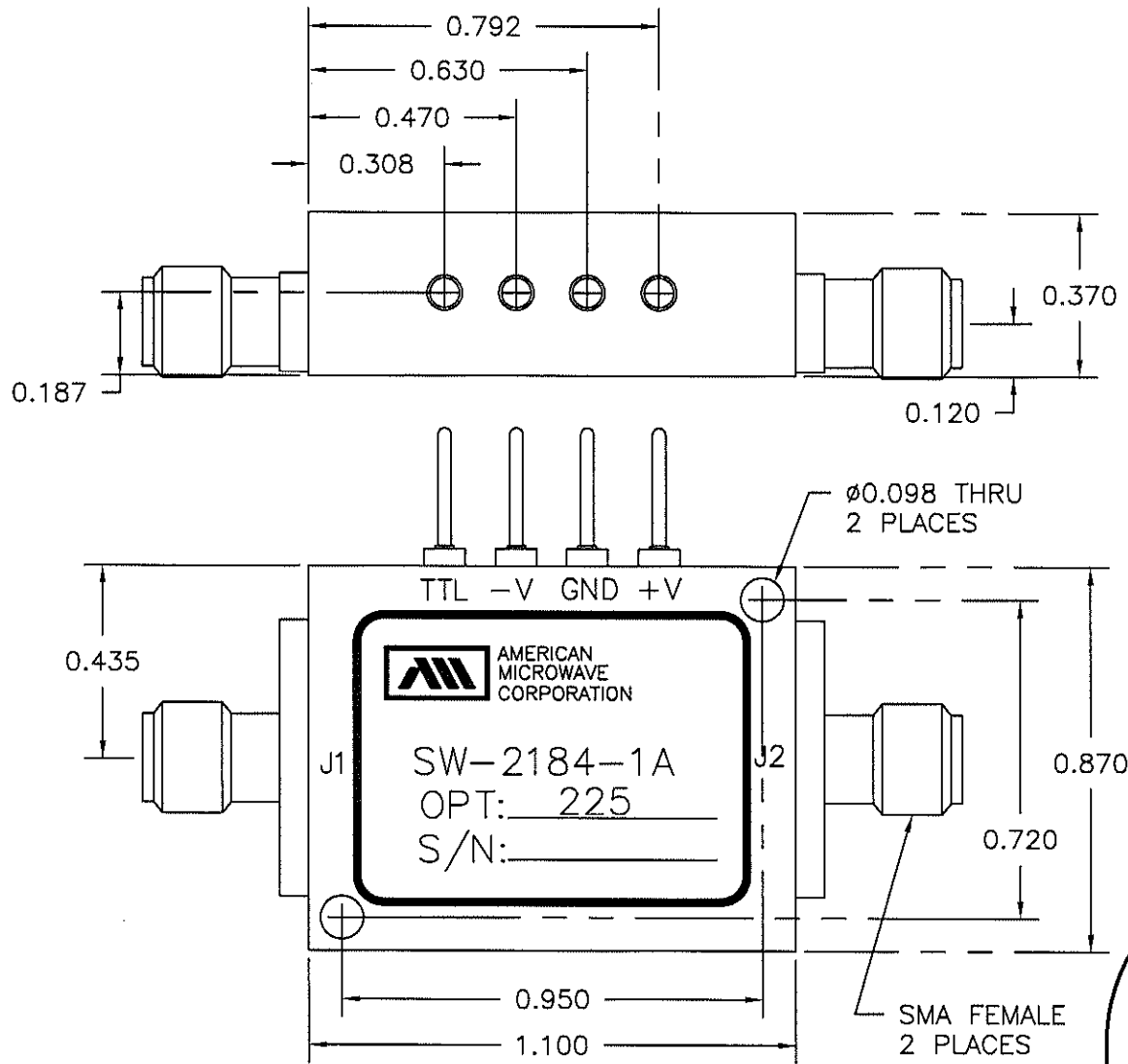


DESCRIPTION

AMC MODEL SW-2184-1A-225 IS A REFLECTIVE BROAD BAND PULSE MODULATOR/SWITCH WITH INTEGRAL TTL DRIVER, AND BUILT IN INPUT/OUTPUT VIDEO FILTER. DESIGNED FOR WIDE BAND, HIGH SPEED AND LOW DISTORTION RF-LINKED, DATA COMMUNICATIONS.

REVISIONS				
ZONE	REV.	DESCRIPTION	DATE	APPROVED
	A	ORIGINAL RELEASE JOB# 208202	11/22/92	
	B	SEE ECN# 05-056	08/19/05	
	C	SEE ECN# 07-089	06/22/07	<i>PM</i>

MECHANICAL OUTLINE



ALL DIMENSIONS ARE IN INCHES
 TOLERANCES:
 X.XX ±0.020
 X.XXX ±0.010

AMERICAN MICROWAVE CORPORATION
 7311-G GROVE ROAD
 FREDERICK, MARYLAND 21704 USA
 TEL: 301-662-4700 FAX: 301-662-4938
 WEBSITE: www.americanmicrowavecorp.com
 E-MAIL: sales@americanmicrowavecorp.com
 ISO 9001:2000 CERTIFIED



APPROVALS		DATE	TITLE			
DRAWN <i>WSP</i>		11/22/92	MECHANICAL OUTLINE			
MODIFIED <i>WSP</i>		06/22/07	SW-2184-1A-225			
ISSUED <i>PM</i>		06/22/07	0.5-18 GHz, REFLECTIVE SPST SWITCH/MODULATOR			
SIZE	FSCM NO.	DWG NO.	REV.			
A	60483	100-2863-000	C			
SCALE N:S			SHEET 2 OF 4			

DESCRIPTION

AMC MODEL SW-2184-1A-225 IS A REFLECTIVE BROAD BAND PULSE MODULATOR/SWITCH WITH INTEGRAL TTL DRIVER, AND BUILT IN INPUT/OUTPUT VIDEO FILTER. DESIGNED FOR WIDE BAND, HIGH SPEED AND LOW DISTORTION RF-LINKED, DATA COMMUNICATIONS.

SPECIFICATIONS

- FREQUENCY RANGE:0.5 TO 18 GHz
- INSERTION LOSS:0.5-1 GHz, 1.2 dB MAXIMUM
 1-2 GHz, 1.2 dB MAXIMUM
 2-4 GHz, 1.5 dB MAXIMUM
 4-8 GHz, 2.0 dB MAXIMUM
 8-18 GHz, 2.8 dB MAXIMUM
- ISOLATION:0.5-1 GHz, 50 dB MINIMUM
 1-2 GHz, 70 dB MINIMUM
 2-8 GHz, 85 dB MINIMUM
 8-18 GHz, 80 dB MINIMUM
- VSWR:0.5-4 GHz, 1.5:1 MAXIMUM
 4-8 GHz, 1.8:1 MAXIMUM
 8-18 GHz, 1.9:1 MAXIMUM
- RF POWER RATINGS:2W CW MAXIMUM, 10W PEAK (1 uSec, PW)
- SWITCHING TIME:
 - RISE (10% RF TO 90% RF):10 nSec MAXIMUM
 - FALL (90% RF TO 10% RF):10 nSec MAXIMUM
 - ON (50% TTL TO 90% RF):25 nSec MAXIMUM
 - OFF (50% TTL TO 10% RF):25 nSec MAXIMUM
- IN-BAND VIDEO TRANSIENTS:150 mV P-P ACROSS 50Ω IMPEDANCE
 IN 20 MHz BANDWIDTH.
- CONTROL:TTL COMPATIBLE, UNITY LOAD
 LOGIC "0" = ISOLATION
 LOGIC "1" = INSERTION LOSS
- POWER SUPPLY:+5VDC ±5% @ 110 mA MAXIMUM
 -12VDC ±5% @ 40 mA MAXIMUM
- CONNECTORS:
 - RF INPUT/OUTPUT:SMA (FEMALE)
 - POWER:SOLDER PIN
 - CONTROL:SOLDER PIN
- SIZE:1.10" x 0.87" x 0.37"

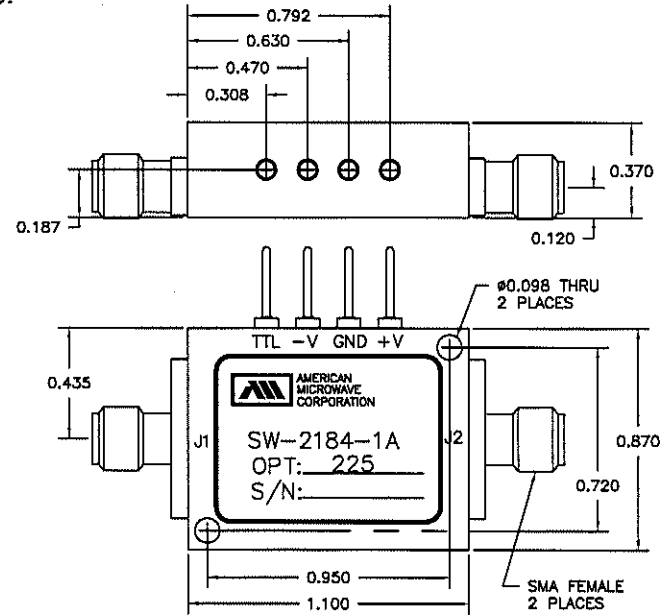
AVAILABLE OPTIONS:

- A01:50Ω CONTROL IMPEDANCE
- A02:100Ω CONTROL IMPEDANCE
- A03:INVERSE CONTROL LOGIC (LOGIC "0" = ISOLATION)
- A04:EXTENDED FREQUENCY TO 100 MHZ
- A05:5 WATTS CW MAXIMUM
- A06:2 nSec RISE/FALL TIME
- A07:SINGLE ENDED ECL DRIVER (10 nSec ON/OFF TIME)
- A09:BALANCED ECL DRIVER (10 nSec ON/OFF TIME)
- A10:-15 VOLT POWER SUPPLY

NOTE: SPECIFICATIONS WILL VARY OVER OPERATING TEMPERATURE
 NOTE: THE ABOVE SPECIFICATIONS ARE SUBJECT TO CHANGE OR REVISION

ALL DIMENSIONS ARE IN INCHES
 TOLERANCES:
 X.XX ±0.020
 X.XXX ±0.010

REVISIONS				
ZONE	REV.	DESCRIPTION	DATE	APPROVED
	A	ORIGINAL RELEASE JOB# 208202	11/22/92	
	B	SEE ECN# 05-056	08/18/05	
	C	SEE ECN# 07-089	06/22/07	<i>pk</i>



ENVIRONMENTAL RATINGS:

- TEMPERATURE:-55°C TO +85°C (OPERATING)
 -65°C TO +125°C (STORAGE)
- HUMIDITY:MIL-STD-202F, METHOD 103B COND. B
- SHOCK:MIL-STD-202F, METHOD 213B COND. B
- VIBRATION:MIL-STD-202F, METHOD 204D COND. B
- ALTITUDE:MIL-STD-202F, METHOD 105C COND. B
- TEMPERATURE CYCLE:MIL-STD-202F, METHOD 107D COND. A

AMERICAN MICROWAVE CORPORATION

7311-G GROVE ROAD
 FREDERICK, MARYLAND 21704 USA
 TEL: 301-662-4700 FAX: 301-662-4938
 WEBSITE: www.americamicrowavecorp.com
 E-MAIL: sales@americamicrowavecorp.com
 ISO 9001:2000 CERTIFIED



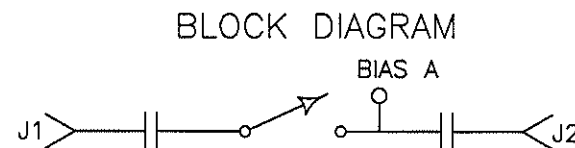
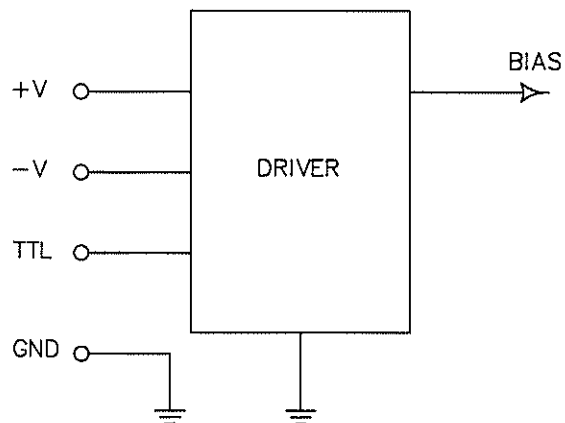
APPROVALS		DATE	TITLE			
DRAWN <i>WSP</i>		11/22/92	PRODUCT FEATURE SW-2184-1A-225			
MODIFIED <i>WSP</i>		06/22/07	SIZE A	FSCM NO. 60483	DWG NO. 100-2863-000	REV. C
ISSUED <i>pk</i>		6/22/07	SCALE N:S			SHEET 1 OF 4

DESCRIPTION

AMC MODEL SW-2184-1A-225 IS A REFLECTIVE BROAD BAND PULSE MODULATOR/SWITCH WITH INTEGRAL TTL DRIVER, AND BUILT IN INPUT/OUTPUT VIDEO FILTER. DESIGNED FOR WIDE BAND, HIGH SPEED AND LOW DISTORTION RF-LINKED, DATA COMMUNICATIONS.

REVISIONS				
ZONE	REV.	DESCRIPTION	DATE	APPROVED
	A	ORIGINAL RELEASE JOB# 208202	11/22/92	
	B	SEE ECN# 05-056	08/18/05	
	C	SEE ECN# 07-089	06/22/07	PA

FUNCTIONAL BLOCK DIAGRAM



AMERICAN MICROWAVE CORPORATION

7311-G GROVE ROAD
 FREDERICK, MARYLAND 21704 USA
 TEL: 301-662-4700 FAX: 301-662-4938
 WEBSITE: www.americanmicrowavecorp.com
 E-MAIL: sales@americanmicrowavecorp.com
 ISO 9001:2000 CERTIFIED



APPROVALS		DATE	TITLE			
DRAWN		11/22/92	FUNCTIONAL BLOCK DIAGRAM			
MODIFIED		06/22/07	SW-2184-1A-225			
ISSUED		06/22/07	0.5-18 GHz, REFLECTIVE SPST SWITCH/MODULATOR			
SIZE	FSCM NO.	DWG NO.	REV.			
A	60483	100-2863-000	C			
SCALE N:S			SHEET		3 OF 4	